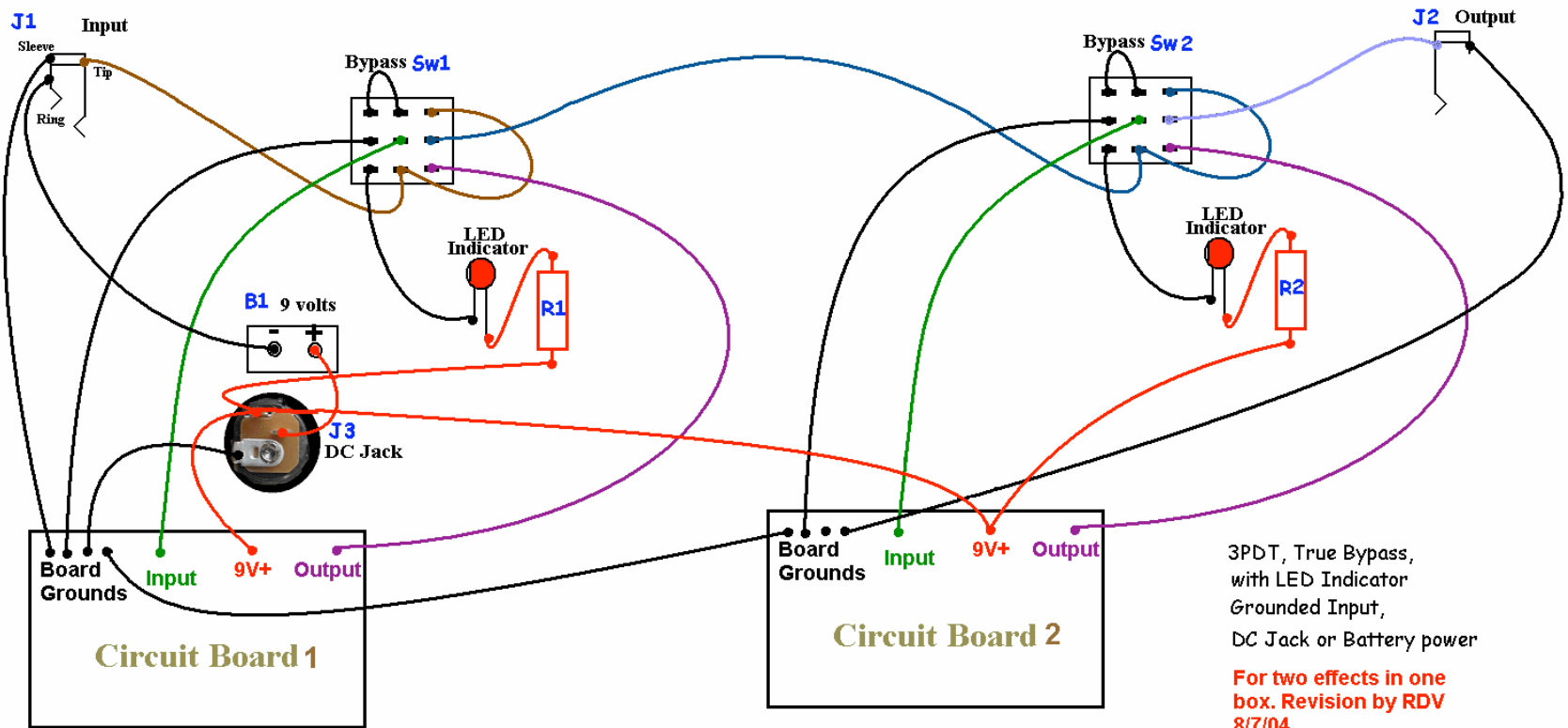


Two Effects in One Box Wiring Diagram

Version 2004September02

Permission refused for posting/serving this file from any site other than www.generalguitargadgets.com

Copyright 2004 JD Sleep



3PDT, True Bypass,
with LED Indicator
Grounded Input,
DC Jack or Battery power
**For two effects in one
box. Revision by RDV
8/7/04**