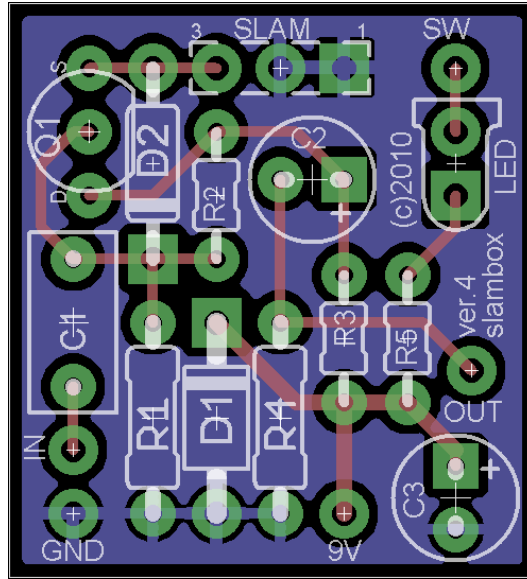


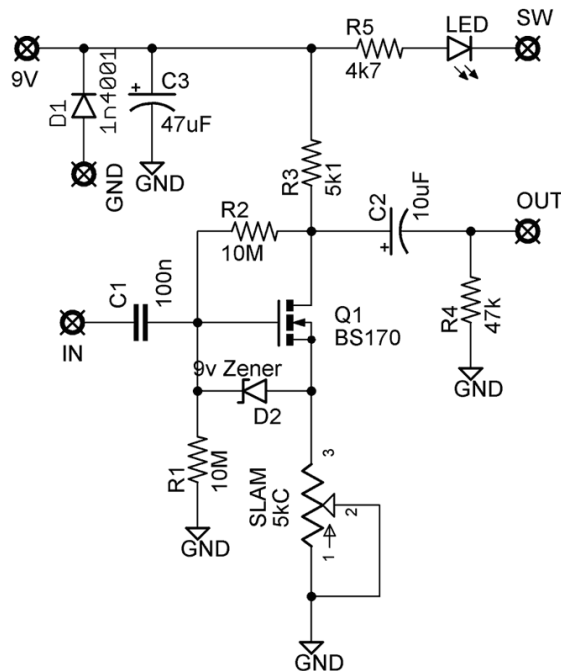
MADBEANPEDALS PRESENTS

SLAMBOX

(based on the zVex Super Hard-On)
 PCB artwork ©2010 madbeanpedals
 Ver.4 09.10.10



Resistor		Caps		Diodes	
R1	10M	C1	100n	D1	1n4001
R2	10M	C2	10uF	D2	9.1v Zener
R3	5k1	C3	47uF		
R4	47k				
R5	4k7				
Transistors			Pots		
Q1	BS170	SLAM	5kC		



Notes

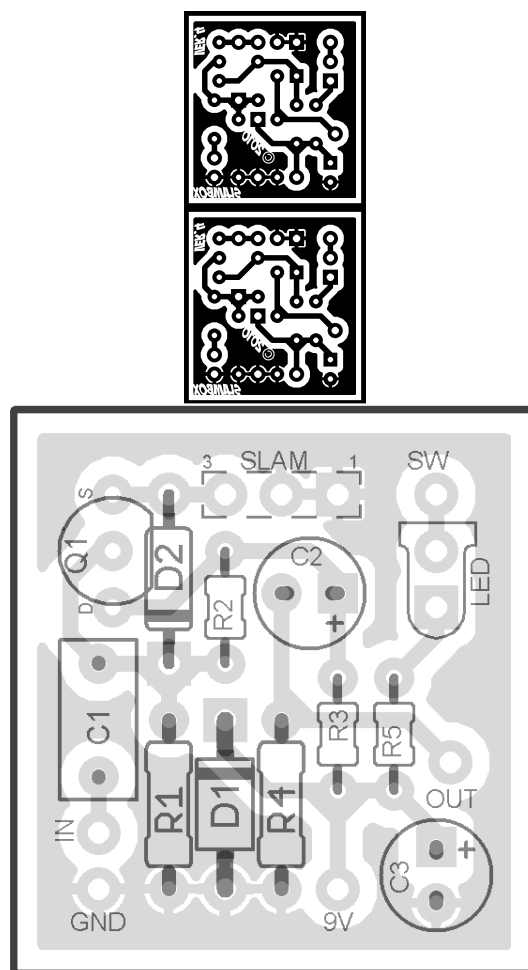
- If you find this effect too bright, try subbing smaller values for **R1** and **R2**. A 2M2 is a reasonable alternative.
- Stock unit uses a Zetex brand BS170:
<http://search.digikey.com/scripts/DkSearch/dksus.dll?Detail&name=BS170P-ND>
- Other brands will work as well (such as Fairchild).
- Some versions show a 100k resistor for R4. Either a 47k or 100k will work equally as well there. The 47k provides lower output impedance and the 100k might give you a little more signal output. Use 100k if you want the most accurate representation of the stock unit.

Parts

- Xicon General or Hi-Temp radial electrolytic caps, 25v
- Xicon carbon metal film resistors, 1/4W
- Panasonic ECQ-V or WIMA box caps, 25v or above
- Alpha 16mm or 24mm potentiometers

SINGLE SIDED VERSION – FOR ETCHING

.942" x1.022" (w / borders)



Visit <http://www.madbeanpedals.com/learn/index.html> for helpful wiring diagrams and drilling templates!

This product is intended for DIY use. Commercial use is prohibited.